

# INDUSTRIAL GRADE TOUCH DISPLAYS

Reliable compliance design with multiple touch options for 21.5", 24" and 27"

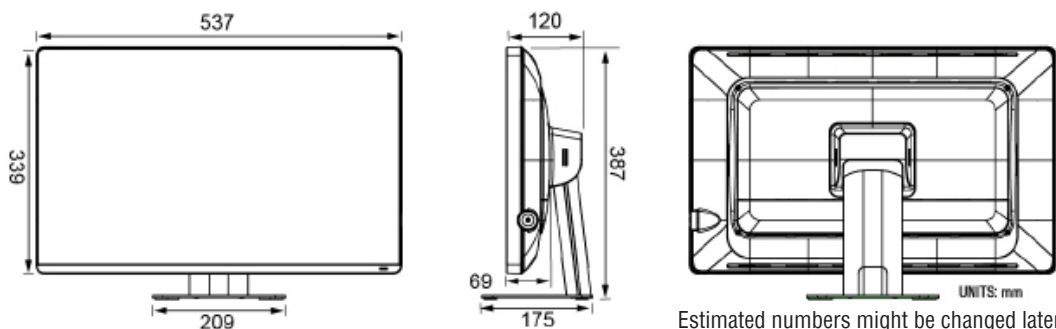


[ WHITE ]

[ BLACK ]

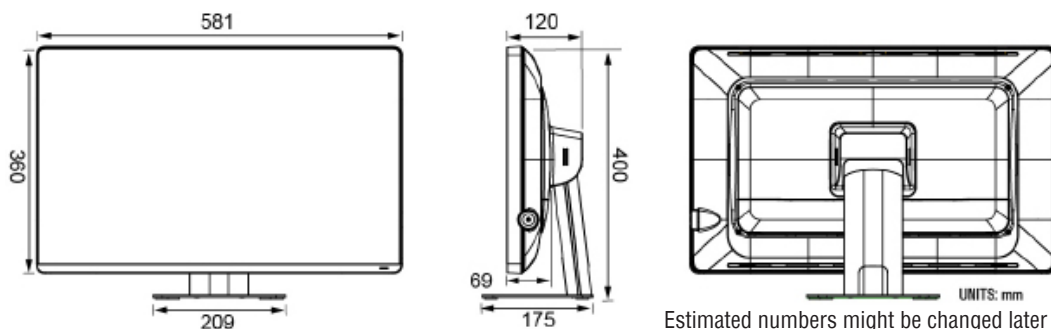
# [RGD2162A-P]

ID Type		True Flat(P-Cap)		
Panel Spec	Type	MVA		
	Resolution	1920(H) x 1080(V)		
	Screen Size (inch)	21.5		
	Display Area (mm)	476.06(H) x 267.79(V)		
	Pixel Pitch (mm)	0.248 (H) x 0.248 (V)		
	Viewing Angle (degree)	178 (H)/ 178 (V)		
	Response Time (ms)	18 (On/Off)		
	Brightness (cd/m <sup>2</sup> )	250 (Typ.)		
	Contrast Ratio	3000:1 (Typ.)		
	Color Depth (bits)	6 +FRC		
I/O Interface	DVI	N/A	HDMI	HDMI1.4 x1
	DP	DP1.2 x1	Audio	3.5mm
	VGA	D-Sub15 x1		
Touch	Type	P-Cap		
	Touch Point	10		
	Screen Printing	Black		
	Glass Coating	Clear		
	Interface	Combo(USB/RS232)		
Features	Color Temperature	Neutral/Warm/Cool/User	OSD Languages	English/ Spanish/ French / German/ Italian/ Japanese
	Gamma Selection	Neutral/2.2	Speaker	2W Speaker
	Gamma LUT (bits)	12	Scaling Mode	Full/5:4/4:3/16:9/1:1
Power Requirements	Power Supply	DC 12V		
	Power Consumption (W)	40(Max)		
Physical Characteristics	Dimensions (W×H×D) (mm)	537(W)x387(H)x175(D)(with Stand) 537(W)x339(H)x69(D) (w/o Stand)		
	VESA Mounting (mm)	100 x100		
	Weight (Kg)	8.2 (with Stand) 6.5 (w/o Stand)		
	ID Color	White/ Black		
	IP Rating (Front)	IP65		
	IP Rating (Back Cover)	IPx1		
	Tilt Range (degree)	0~+30	Swivel Range (degree)	N/A
	Pivot Range (degree)	N/A	Height Adjustment (mm)	N/A
Reliability	Operating Temperature ( - C )	10 to 40	Storage Temperature ( - C )	-20 to 60
	Operating Humidity (RH)	30% to 75%	Storage Humidity (RH)	10% to 90%
Certifications and Compliances		UL/cUL(60950),CB(60950),CE,FCC-B		



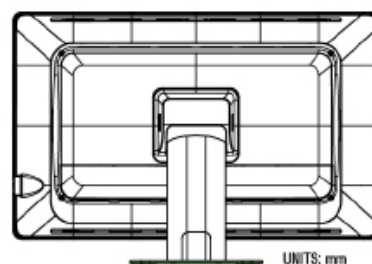
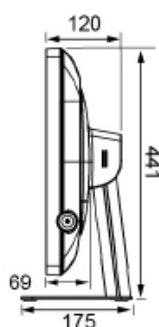
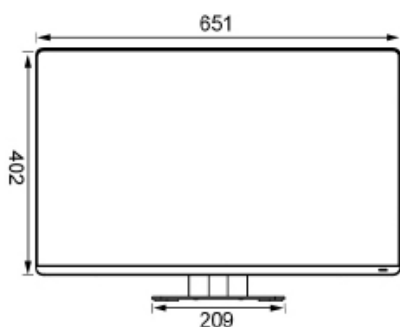
# [RGD2462A-P]

ID Type		True Flat(P-Cap)		
Panel Spec	Type	TN		
	Resolution	1920 (H) x 1080 (V)		
	Screen Size (inch)	24		
	Display Area (mm)	531.36(H) x 298.89(V)		
	Pixel Pitch (mm)	0.276 (H) x 0.276 (V)		
	Viewing Angle (degree)	170 (H)/ 160 (V)		
	Response Time (ms)	5 (on/off)		
	Brightness (cd/m <sup>2</sup> )	250 (Typ.)		
	Contrast Ratio	1000:1 (Typ.)		
	Color Depth (bits)	8		
I/O Interface	DVI	N/A	HDMI	HDMI1.4 x1
	DP	DP1.2 x1	Audio	3.5mm
	VGA	D-Sub15 x1		
Touch	Type	P-Cap		
	Touch Point	10		
	Screen Printing	Black		
	Glass Coating	Clear		
	Interface	Combo(USB/RS232)		
Features	Color Temperature	Neutral/Warm/Cool/User	OSD Languages	English/ Spanish/ French / German/ Italian/ Japanese
	Gamma Selection	Neutral/2.2	Speaker	2W Speaker
	Gamma LUT (bits)	12	Scaling Mode	Full/5:4/4:3/16:9/1:1
Power Requirements	Power Supply	DC 12V		
	Power Consumption (W)	40(Max)		
Physical Characteristics	Dimensions (W×H×D) (mm)	581(W)x400(H)x175(D)(with Stand) 581(W)x360(H)x69(D)(w/o Stand)		
	VESA Mounting (mm)	100 x100		
	Weight (Kg)	9.5 (with Stand) 7.7 (w/o Stand)		
	ID Color	White/ Black		
	IP Rating (Front)	IP65		
	IP Rating (Back Cover)	IPx1		
	Tilt Range (degree)	0~+30	Swivel Range (degree)	N/A
	Pivot Range (degree)	N/A	Height Adjustment (mm)	N/A
Reliability	Operating Temperature ( - C )	10 to 40	Storage Temperature ( - C )	-20 to 60
	Operating Humidity (RH)	30% to 75%	Storage Humidity (RH)	10% to 90%
Certifications and Compliances		UL/cUL(60950),CB(60950),CE,FCC-B		



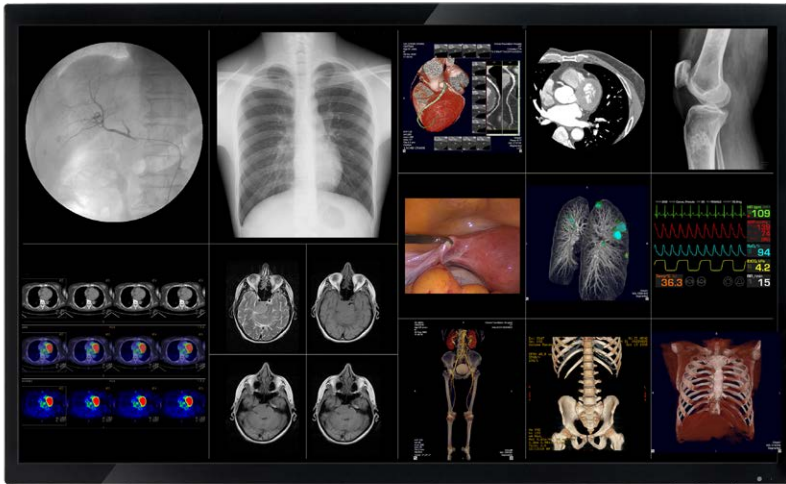
# [RGD2762A-P]

ID Type		True Flat(P-Cap)		
Panel Spec	Type	VA		
	Resolution	1920(H) x 1080(V)		
	Screen Size (inch)	27		
	Display Area (mm)	597.6(H) x 336.1(V)		
	Pixel Pitch (mm)	0.311 (H) x 0.311 (V)		
	Viewing Angle (degree)	178 (H)/ 178 (V)		
	Response Time (ms)	12 (On/Off)		
	Brightness (cd/m <sup>2</sup> )	300 (Typ.)		
	Contrast Ratio	3000:1 (Typ.)		
	Color Depth (bits)	8		
I/O Interface	DVI	N/A	HDMI	HDMI1.4 x1
	DP	DP1.2 x1	Audio	3.5mm
	VGA	D-Sub15 x1		
Touch	Type	P-Cap		
	Touch Point	10		
	Screen Printing	Black		
	Glass Coating	Clear		
	Interface	Combo(USB/RS232)		
Features	Color Temperature	Neutral/Warm/Cool/User	OSD Languages	English/ Spanish/ French / German/ Italian/ Japanese
	Gamma Selection	Neutral/2.2	Speaker	2W Speaker
	Gamma LUT (bits)	12	Scaling Mode	Full/5:4/4:3/16:9/1:1
Power Requirements	Power Supply	DC 12V		
	Power Consumption (W)	40(Max)		
Physical Characteristics	Dimensions (W×H×D) (mm)	651(W) x441(H) x175(D)(with Stand) 651(W) x402(H) x69(D)(w/o Stand)		
	VESA Mounting (mm)	100 x100		
	Weight (Kg)	10.3 (with Stand) 8.4 (w/o Stand)		
	ID Color	White/ Black		
	IP Rating (Front)	IP65		
	IP Rating (Back Cover)	IPx1		
	Tilt Range (degree)	0~+30	Swivel Range (degree)	N/A
	Pivot Range (degree)	N/A	Height Adjustment (mm)	N/A
Reliability	Operating Temperature ( - C )	10 to 40	Storage Temperature ( - C )	-20 to 60
	Operating Humidity (RH)	30% to 75%	Storage Humidity (RH)	10% to 90%
Certifications and Compliances		UL/cUL(60950),CB(60950),CE,FCC-B		



UNITS: mm  
Estimated numbers might be changed later

# Products



Endo/ Surgical Displays



Industrial/HMI Touch Solutions



Radiology Displays



## DIVA

DIVA Laboratories – Headquarter

E-Mail: [sales@diva.com.tw](mailto:sales@diva.com.tw)

Phone: +886 2 2226 8631

Address: 9F., No.351, Sec. 2, Zhongshan Road,  
Zhonghe District, New Taipei City 235, Taiwan